

## Laser Distance Measuring Device LMC-J-0100

### The Fastest One: UP TO 30000 Hz !!!

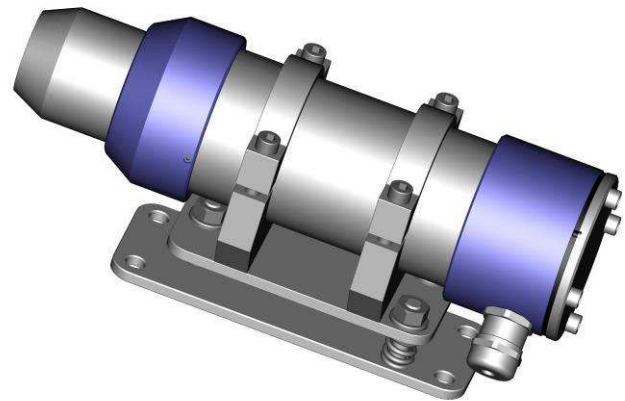
- Measures distances with millimetre accuracy
- Precisely defines positions
- Detects movements
- Level Control
- Multiple Bus

The laser distance-meter LMC-J-0100 support reflector less, fast and exact measurements. It is robustly engineered especially for industrial applications. The gage works with the time of light (TOF) principle. It works at distances up to 200 m. Up to 50m depending target reflectivity, no special reflector is needed.

Equipped with a 905 nm diode laser, a sensitive photodiode and special optics the sensor measures distances with a repetition rate of up to 30 kHz, which allows to measure very fast moving objects.

Data Output is supplied via Serial and Analog Interface. Setup can be easily made via serial Interface. As Option Profibus, EtherNet or WLAN Interfaces are available

#### Optionen:



#### Technical Data

Supply	10 ... 30 VDC, 5W
Serial Interface	RS422 oder RS232 BR 1.2kBaud... 460,8 kBaud (9,6kB Binärcodiert)
Analogue	4mA ... 20mA
Alarm	1x digital Optional 3x
Optional	Profibus, EtherNet, WLAN
Laser class	Class 1 (EN 60825-1:2003-10)
Wave length	905nm
Range	0,2 ... 200 m (Reflektor) 0,2...50m (without Reflektor)
Divergence	3 x 1 mrad Optional 8 x 1 mrad
Accuracy	+/- 50 mm (bei 10000 Hz)
Repeatability	+/- 2cm
Resolution	1 mm
Measurement Frequency	0,033 - 1000 ms
Reflector	Diamond-Grade-Foil for long range
Housing-Material	Aluminium
Protection	IP 66
Temperatur Range	-20°C ... +50°C
Bracket:	Three-point bracket spring cushioned incl. 2 base plate for vertical or horizontal attachment
Dimensions:	(250 x 90 x 110) mm (L x B x H)
Weight:	ca. 4,3 kg
Protection class:	IP 66
MTTF	30.000 h