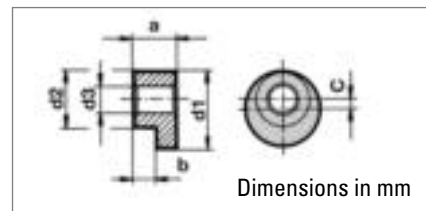


# Mounting

## CLAMPING ECCENTRIC

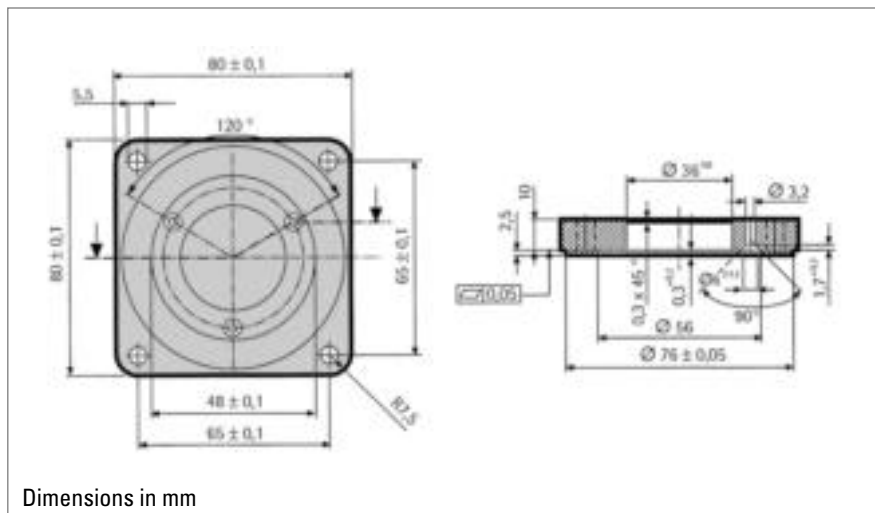
	$\varnothing d_1$	$\varnothing d_2$	$\varnothing d_3$	a	b	c
Ordering code <b>0 070 655</b> (RI 58, AC 58) Synchro flange for M3)	8.9 $_{+0.1}$	6.5	3.2	4.9 $_{-0.1}$	2.9 $_{-0.1}$	1.2
Ordering code <b>0 070 657</b> (RI 58, AC 58) Synchro flange for M3)	12	9	3.5	4.9 $_{-0.1}$	2.9 $_{-0.1}$	1.5
Ordering code <b>0 070 654</b> (RI 30, RI 36) Synchro flange for M2.5)	6.8 $_{+0.2}$	5	2.8	4.4 $_{-0.1}$	2.4 $_{-0.1}$	0.9
Ordering code <b>1 522 300</b> (RI 58, AC 58) Synchro flange for M4)	(15)	9.5	4.2	5.4 $_{-0.1}$	2.9 $_{-0.1}$	flattened

Material CuZn39Pb3, surface nickel-plated  
Set of three  
Suitable for encoders with synchro flange  
type RI 30, RI 36, RI 58, AC 58



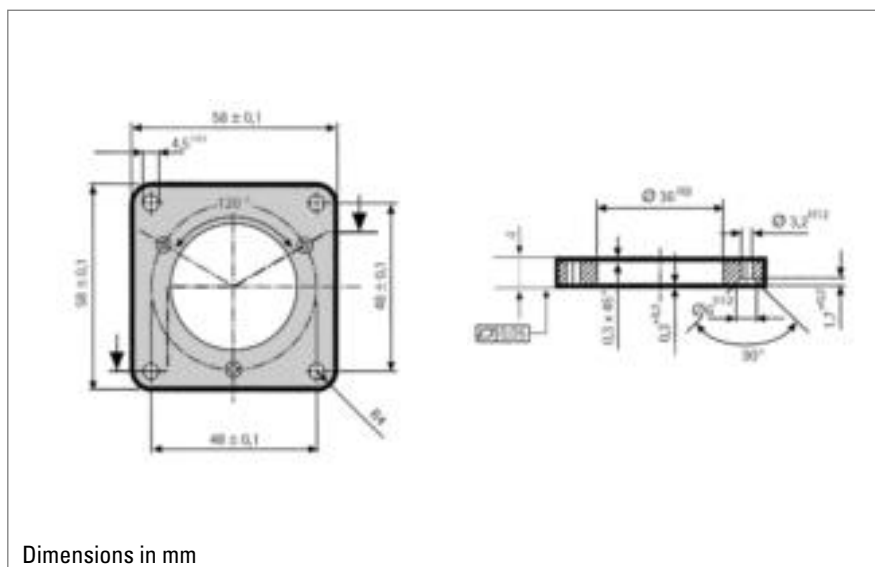
## SQUARE FLANGE ADAPTER 80 x 80 mm for clamping flange RI 58, AC 58 (fastening material included)

Ordering code 1 522 327



## SQUARE FLANGE ADAPTER 58 x 58 mm for clamping flange RI 58, AC 58 (fastening material included)

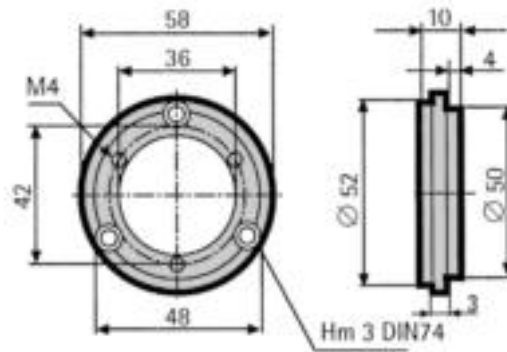
Ordering code 1 522 326



# Mounting

**SYNCHRO FLANGE ADAPTER**  
for clamping flange RI 58, AC 58  
(fastening material included)

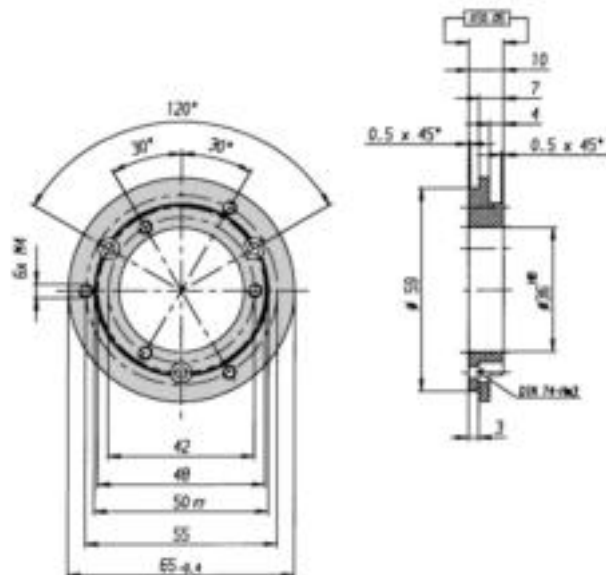
Ordering code 1 522 328



Dimensions in mm

**SYNCHRO FLANGE ADAPTER**  
for clamping flange RI 58,  
same dimensions as TR HE 65  
(fastening material included)

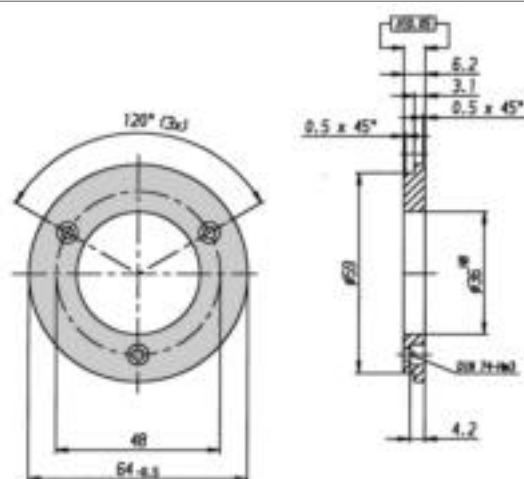
Ordering code 1 522 542



Dimensions in mm

**SYNCHRO FLANGE ADAPTER**  
for clamping flange RI 58,  
same dimensions as AG 661  
(fastening material included)

Ordering code 1 522 547

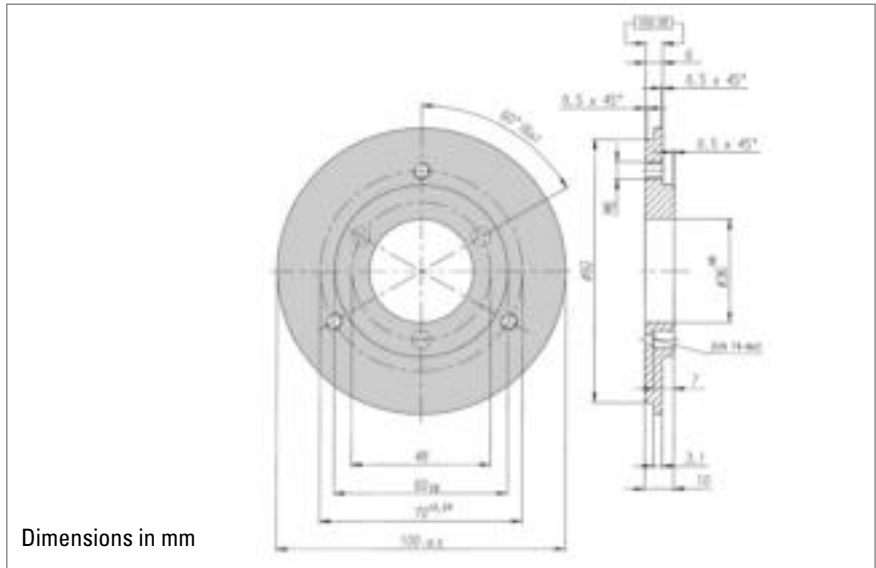


Dimensions in mm

# Mounting

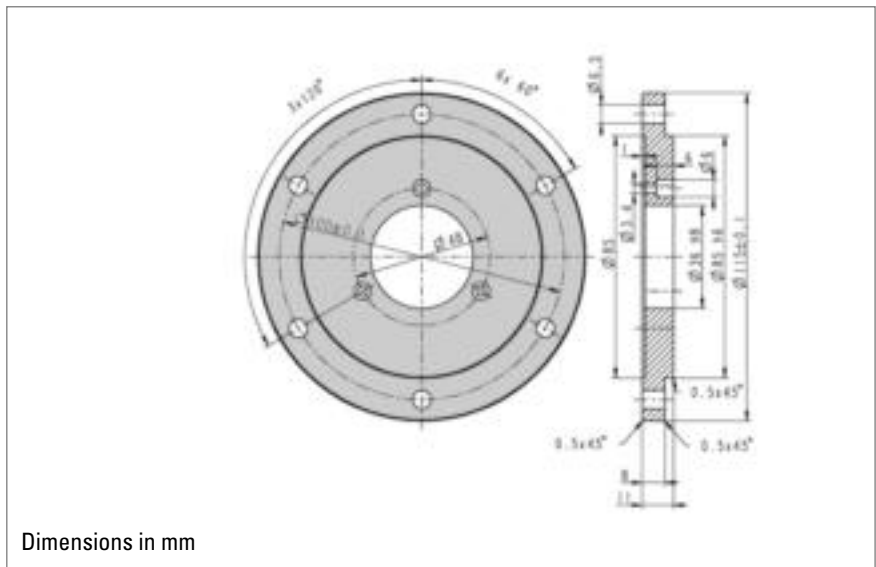
**SYNCHRO FLANGE ADAPTER**  
for clamping flange RI 58,  
same dimensions as AG 100/110  
(fastening material included)

Ordering code 1 522 548



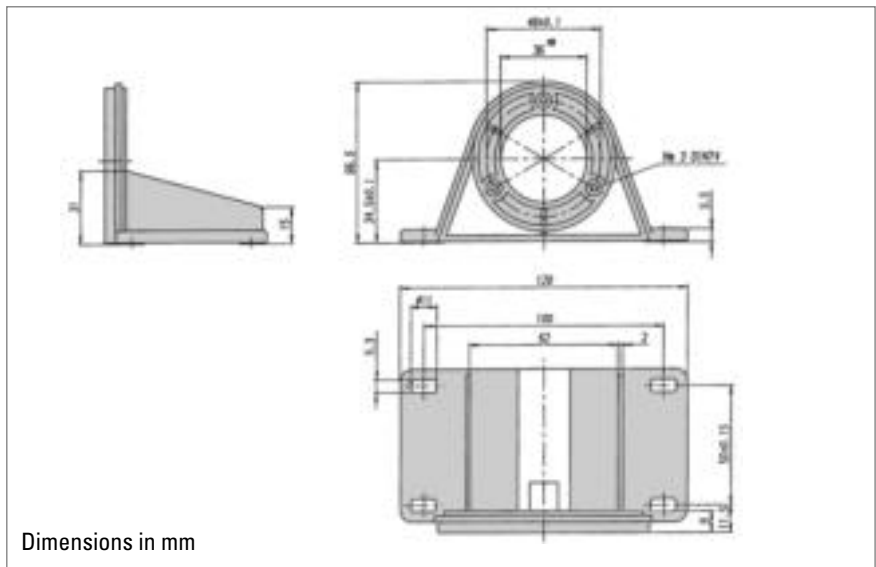
**FLANGE ADAPTER**  
for clamping flange AC 58,  
same dimensions as Gelma RAO 5  
(fastening material included)

Ordering code 1 540 336



**FASTENING BRACKET (PLASTIC)**  
for clamping flange  
RI 58, AC 58  
(fastening material included)

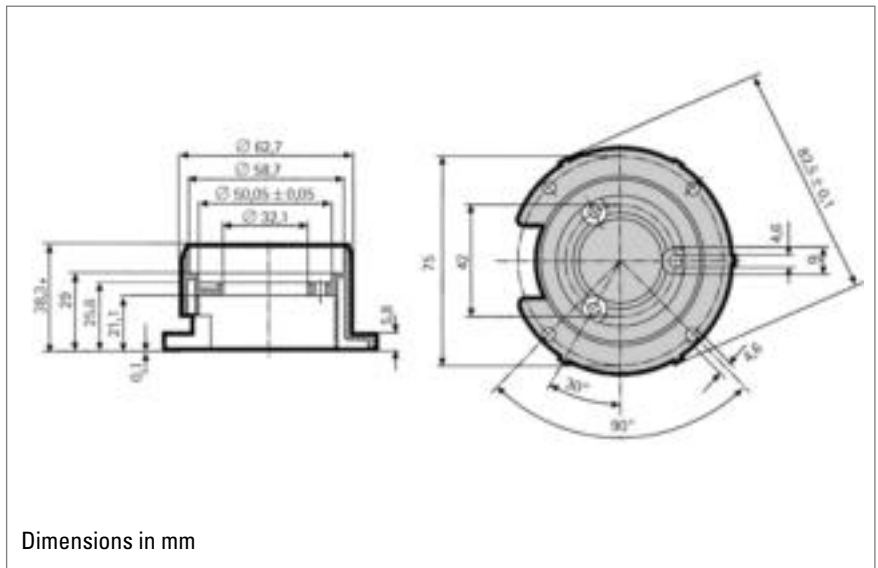
Ordering code 1 522 329



# Mounting

**MOUNTING BELL (PLASTIC)**  
for synchro flange RI 58, AC 58  
(clamping eccentric and  
fastening material included)

Ordering code 1 522 330



## FURTHER MOUNTING ACCESSORIES

	Ordering code
Hubshaft with tether as stator coupling, RI58-D	1 531 162
Hubshaft with tether BR.HA, RI76TD	1 533 119
Hubshaft with tether FE.GU, RI76TD	1 533 116
Hubshaft with tether flexible, RI76TD	1 533 079
Hubshaft with tether rigid, RI76TD	1 533 078
Torque support, RI58-F	2 531 199
Torque support, RI58-F, ACURO hollow shaft	1 531 188
Mounting kit (E9)	MK E9 + hollow shaft Ø
Mounting kit (M14)	MK M14 + hollow shaft Ø
Mounting kit (M9)	MK M9 + hollow shaft Ø